

WAVIN India
Product Guide

SWR Pipes & Fittings



wavin

Introducing WAVIN SWR Pipes & Fittings



WAVIN SWR system is the high performance and most advanced PVC SWR piping system. Specially designed for easy, fool-proof, and cost-effective installation. It is designed for quick and leak-proof joint with efficient waste removal, without any leakage. It is highly resilient, tough and durable, with high mechanical tensile and impact strength. Moreover, it is free from scale, algae or rust formation, weathering, and chemical action. It is light in weight which provides the benefits to end users in terms of easy, quick, and cost-effective installation.

The system does not require any solvent, cementing, welding, soldering or threading for making the joints, and is pressure tested for 100% leak-proof performance.

Product Range and Specification:

SWR Pipes

Available in sizes of 75, 90, 110 and 160 mm conforms to IS 13592:2013 with “Ring Fit” category.

SWR Fittings

Available in sizes of 75 & 110 mm conforms to IS 14735:1999 with “Ring Fit” category.

Standards and Codes:

Standards & Codes specify certain requirements, test methods and methods of marking, for polyvinyl chloride plastic pipes for SWR supplies.

WAVIN PVC SWR Pipes

Class of Pipe	Standard	Sizes Available
Type A	IS 13592	75, 90, 110 & 160 mm
Type B	IS 13592	75, 90, 110 & 160 mm

WAVIN PVC Lead-Free Pipes

Class of Fitting	Standard	Sizes Available
Ring Fit	IS 14735	75 & 110 mm





Features and Benefits:

Quick & easy installation due to light weight pipes & fittings.

Leak proof joints.

Maintenance free systems.

All pipes & fittings in strict compliance to standards.

Available in Ring Fit jointing.

Full range of pipe & fittings.

Chemical resistant (specially to most household chemicals).

Corrosion & rust proof.

High flow-rate with smooth & no scaling or depositions.

Designed for long durability & service.

High value for money, "fit & forgets" system.



UV Stabilized



Leaf Proof



Corrosion Free



Free from Hazardous Chemical



Strong & Durable



Self Extinguishing

Applications:

System for soil water discharge.

System for wastewater discharge.

Non-pressure industrial drainage application.

Domestic & commercial drainage.

Venting of gasses/smells/bad odors.

Rainwater transportation.

Replacement of cast iron piping.

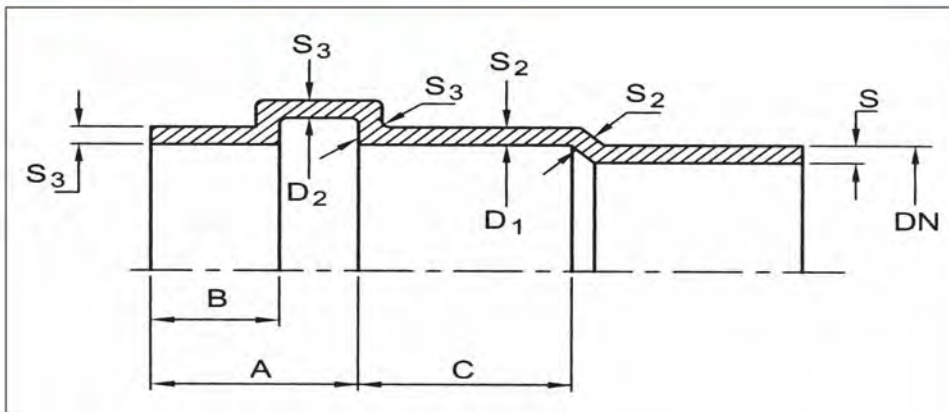
Laboratory drainage.

Ring Fit:

Push-Fit type pipes and fittings have socketed grooves to hold the co-molded rubber ring. These grooves are made with high precision socketing machines & collapsible molds that give the dimensional accuracy, quality which results in an easy & leak proof fitment.

- Quick and easy push-fit saves installation time.
- Joint can be easily opened for re-align, change or adjustment.
- Corrosion and abrasion resistance.

Push-Fit Grooved Socket:



Minimum Wall Thickness of Grooved Socket on Pipe

Nominal Outside Diameter (DN)	S2 Minimum (mm)		S3 Minimum (mm)	
	Type A	Type B	Type A	Type B
mm				
75	1.60	2.90	1.00	2.40
90	1.70	2.90	1.10	2.40
110	2.00	2.90	1.20	2.40
160	2.90	3.60	1.80	3.00

Dimension of Grooved Socket

Nominal Outside Diameter (DN)	Inside Diameter of Socket (D1) in mm		Inside Diameter of Beading (D2) in mm		Length of Beading & Neck (A) in mm	Neck of Socket (B) in mm	Length beyond Beading (C) in mm
	Minimum	Maximum	Minimum	Maximum			
mm							
75	75.30	76.40	84.50	85.50	20.00	5.00	25.00
90	90.30	91.40	99.50	100.50	23.00	5.00	28.00
110	110.40	111.60	120.30	121.30	26.00	6.00	32.00
160	160.50	161.50	173.80	175.00	32.00	9.00	42.00



Co-Moulded Seal:

- Confirms to IS 5382.
- Soft part “TPM” for high durability & easy fit.
- Rigid part made of hard PP polymer providing dimensional stability and keeps the seal in place.
- Pressure withstanding capability (system tested at over 2.5 bars pressure).
- 100% leak-proof jointing.
- No lubricant required, hence, cost-efficient and time saving for installer.

Technical Specification:

Dimension of Pipe as per IS 13592								
Nominal Outside Diameter (DN)	Mean Outside Diameter (mm)		Outside Diameter at Any Point (mm)		Wall Thickness (S) Type A (mm)		Wall Thickness (S) Type B (mm)	
	Minimum	Maximum	Minimum	Maximum	Minimum	Maximum	Minimum	Maximum
mm								
75	75.00	75.30	74.10	75.90	1.80	2.20	3.20	3.80
90	90.00	90.30	88.90	91.20	1.90	2.30	3.20	3.80
110	110.00	110.40	108.60	111.40	2.20	2.70	3.20	3.80
160	160.00	160.50	158.00	162.00	3.20	3.80	4.00	4.60

Do's:

- Always use WAVIN rubber lubricant and solvent cement for making joints.
- Cut the pipe straight at 90°, as improper cut or angular cut may lead to leakage.
- Use test plug or socket plug for testing the lines. Smoke test should be avoided.
- Use only rubber lubricant for joining SWR pipes and fittings (where rubber ring is used). It makes the joint quick and easy.
- Lubricant used only for easy installation, it does not work as solvent.
- Greasy effect of lubricant will remain for only a few hours, after that, it will dry completely.
- Avoid over tightening of door caps. Ensure that door gaskets are placed properly before tightening.

Dont's:

- Do not insert the pipe into socket without chamfering. This can lead to misplacement of rubber rings and leakage in joint.
- Don't mix soil and waste line without putting water seal trap in between.
- Never remove rubber rings from the same pipes and fittings to make solvent weld joint. This will lead to big failure of the system.
- Do not install pipeline without properly placed pipe clips.
- Never use solvent for Push-Fit joints.
- Never use lubricant for Plan-Socket joints.



Discover our broad portfolio at wavin.com

Hot & Cold Water

Foul Water

Gas & Water Mains

Indoor Climate

Storm Water

Geotextiles

Soil & Waste



Wavin is part of Orbia, a community of companies working together to tackle some of the world's most complex challenges. We are bound by a common purpose:
To Advance Life Around the World.

WAVIN INDIA E-mail wavinindia@wavin.com | Internet www.wavin.co.in
Toll free number: 1800-123-7704



@wavinindia



© 2020 Wavin Wavin reserves the right to make alterations without prior notice. Due to continuous product development, changes in technical specifications may change. Installation must comply with the installation instructions.