

# Mistakes in foul sewer compliance won't stay buried

Your quick reference guide to pipe compliance for **Irish Water, BCAR** and **Part H** Regulations

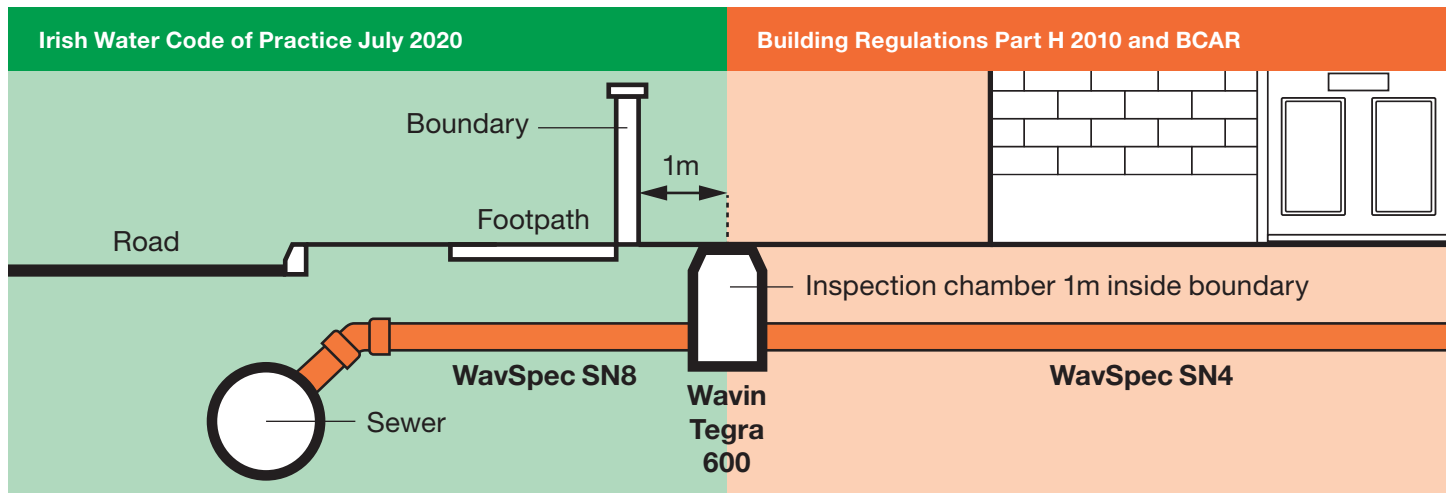
WavSpec SN8 / ROI \* EN1401 D3900 3812

Guaranteed  
Irish



# The path to compliance

Drainage standards and compliance guidelines for the Republic of Ireland



To avoid any risk of contamination of pipes; Wavin recommends **WavSpec SN8** pipe for all sewer installations.

## Select the pipe that meets the criteria you need

WavSpec SN8 – EN1401		
Size (mm)	Product Code	SAP Code
110	D3900	3066452
160	D3901	3085145
244	D3904	3085146
315	D3905	3085148
400	E8516	3079672

WavSpec SN4 – EN13476		
Size (mm)	Product Code	SAP Code
110	D3822	3071145
160	D3823	3071146
244	D4921	3066980
315	E4920	3067008
400 <sup>†</sup>	E4516	3066494



<sup>†</sup>WavSpec SN4 – 400mm diameter is manufactured to EN1401

## Select your foul sewer fittings

Wavin's range of fittings are compliant with:

- Irish Water Code of Practice
- Part H Building Regulations 2010
- NSAI Certification for BCAR requirements

### Wavin sewer fittings

A wide range of uPVC injection moulded sewer fittings from 110mm to 400mm and certified to EN1401/1:2009.



For assistance with technical specifications and to Book a **FREE** RIAI approved CPD presentation Tel: **+353 1 8020200** or visit [www.wavin.ie](http://www.wavin.ie)

Wavin Ireland Limited | Registered Office | Dublin Road | Balbriggan | K32 K840

