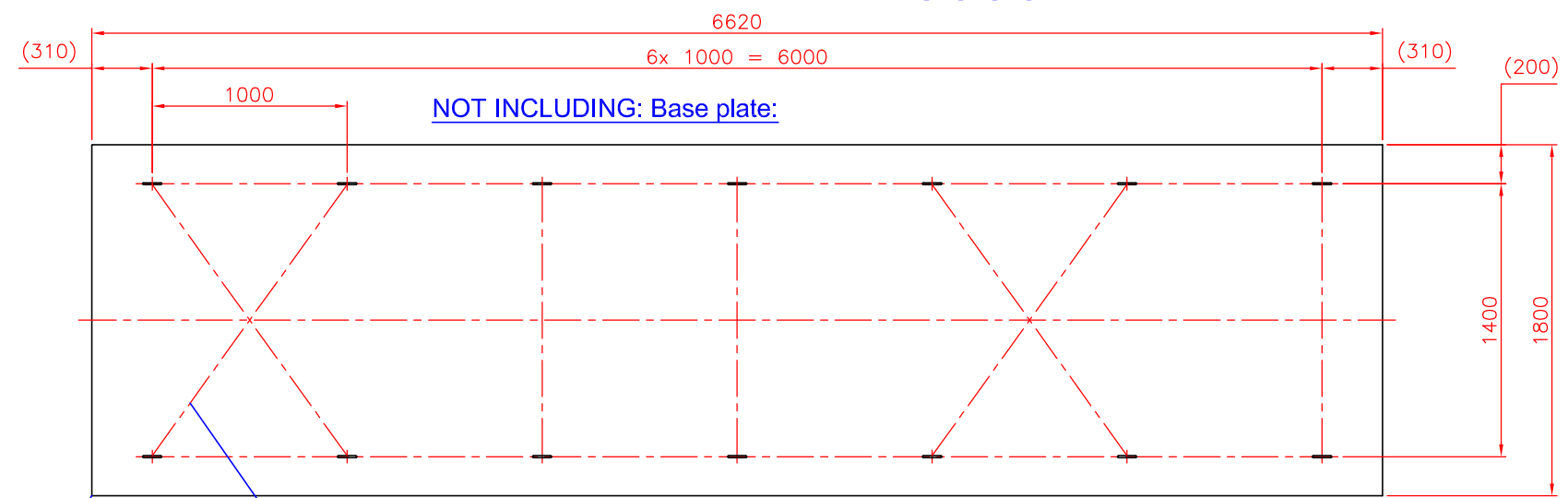
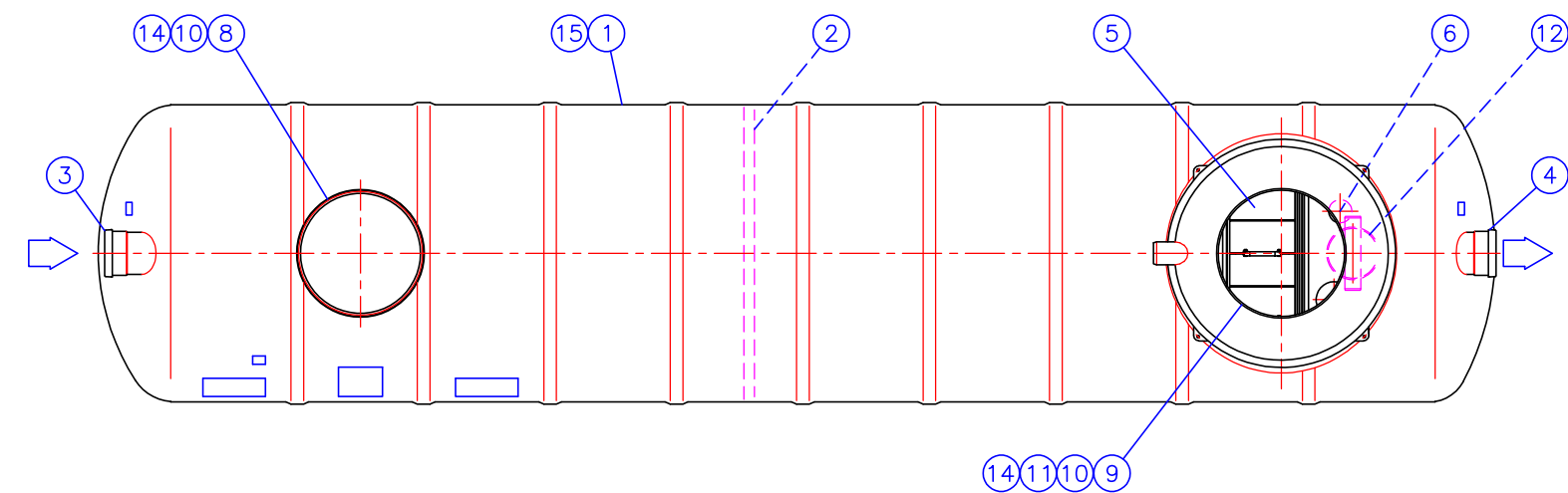


Oil separator class I (EN858) with integrated sludge part (Vol. 4500 l).  
 Inlet and Outlet sewer D200. Max. flow rate: 15 l/s  
 ACCESSORY: ACD Auromatic closure device DN200

h = Separator connection height from ground  
 h = \_\_\_\_\_ mm (Max. 2500 mm)



16	NOT INCLUDING: Base plate (6620x1800, s=150 mm) concrete K30-2, steel reinforcement A500HW T8 #200		
15	ACCESSORY: Anchoring belt (Polyester), 7 pcs (x)	<input type="checkbox"/>	
14	ACCESSORY: Heating cabel set for maintenance shaft (230V). 2 pcs (x) Effective 150 W. MCMK cabel for electricity (230V) connection length 5 m. Including insulation inner cover. Not including frost insulation	<input type="checkbox"/>	
13	ACCESSORY: Data Transfer Unit	<input type="checkbox"/>	(x)
12	ACCESSORY: ACD Auromatic closure device DN200 for oil density less than 0.90 g/cm³	<input type="checkbox"/>	(x)
11	ACCESSORY: Ladder in EuroHUK 600 maintenance shaft, material Al Note! Not EuroHUK 600 h9-13	<input type="checkbox"/>	(x)
10	ACCESSORY: Floating adjustable cover ø600, Standard EN124 (2 pcs) Cover class A15 (1.5 tn) (x) Cover class C250 (25 tn) Cover class D400 (40 tn) Frame	<input type="checkbox"/> <input type="checkbox"/> <input type="checkbox"/> <input type="checkbox"/>	
9	EuroHUK 600 maintenance shaft (as needed), material PE-MD EuroHUK 600 h 9-13 (x) EuroHUK 600 h13-17 EuroHUK 600 h17-21 EuroHUK 600 h21-25	<input type="checkbox"/> <input type="checkbox"/> <input type="checkbox"/> <input type="checkbox"/>	1 h= 900...1300 mm h=1300...1700 mm h=1700...2100 mm h=2100...2500 mm
8	PP-HUK 600 maintenance shaft (as needed), material PP plastic PP-HUK 600 h 9-13 (x) PP-HUK 600 h13-17 PP-HUK 600 h17-21 PP-HUK 600 h21-25	<input type="checkbox"/> <input type="checkbox"/> <input type="checkbox"/> <input type="checkbox"/>	1 h= 900...1300 mm h=1300...1700 mm h=1700...2100 mm h=2100...2500 mm
7	Ventilation outlet	PVC/PE	D110 2
6	Alarm unit (as needed) STANDARD ALARM: Oil alarm unit (x) SPECIAL ALARM: Oil/Sludge alarm unit	<input type="checkbox"/> <input type="checkbox"/>	1
5	Coalescator		3
4	Outlet sewer	PVC	D200 1
3	Inlet sewer	PVC	D200 1
2	Wall	GRP	D1400 1
1	Material: Glass Reinforced Plastic (GRP) pH 3-10/Heat endurance continued 60°C (temporary max. 80°C)		ø1400, L=6620 mm 1
A	Storage volume of sludge		4 500 l
B	Effective volume		4 450 l
C	Oil storage volume		520 l

Title: EuroPEK Roo NS15/4500 Oil separator, Class I (EN858) Drawing type: CUSTOMER DRAWING

Design by: AL/JS Approved by: AL 11.07.2018 Drawing no.: 38DB03de Date: 11.07.2018 Scale:

Construction site:

WAVIN-LABKO Ltd.  
 VISIOKATU 1  
 FIN-33720 TAMPERE  
 FINLAND  
 tel. +358 20 1285200  
 fax. +358 20 1285280

This drawing and the technical information included in the drawing are property of Wavin-Labko. All the national regulations concerning this product have to be checked before purchase of the product. Installation have to be done according to installation manual.