

guiding
connections

MICRODUCT REDUCERS DI

PRODUCT DESCRIPTION

This product is a reducer or enlarger for Telecom direct installed applications.

Reducers are used in case the inner diameter of the pipes to be connected are equal.

Applicable to connect microducts with an outer diameter from 3 – 16 mm.
In case unforeseen reopening of the connector should be prevented locking clips are available.

APPLICATION AREA

Designed for use with Wavin Cable Duct system to connect microducts used as single microducts or in assemblies.

The product should be used in a protected area like a PDC or in manholes.
The fittings are not meant for direct buried applications.

PRODUCT FEATURES

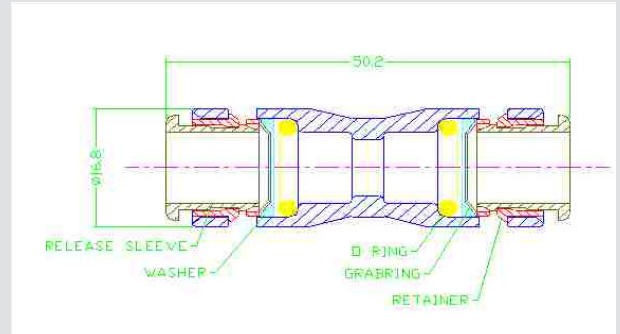
- Transparent housing
- Suitable for microducts from 4 – 16 mm
- Release functioning present
- Pressure tight
- Suitable from -15 °C



Accessible & Watertight Solutions for
latest generation telecom networks

PRODUCT COMPONENTS

Part description	No of parts	Colour
1. Release sleeve	2	Red
2. Washer	2	Red
3. Retainer	2	Red
4. Body	1	Transparent
5. Seal	2	Black
6. Grab ring	2	Metal



PRODUCT SPECIFICATIONS

Materials

1. Release sleeve	POM
2. Washer	POM
3. Retainer	POM
5. Seal	Nitril
6. Grab ring	Metal

Material for black product on request.

The material is not UV stable. It is advised to protect the product from direct sunlight.

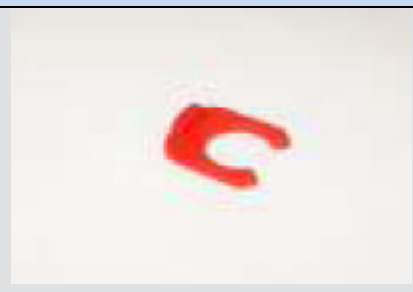
Dimensions

Table 1 Reducers

Reducers	Foto	Article nr (SAP)
5-4		4034715
7-4		4053547
7-5		4034716
8-5		4034608
8-7		4034668
10-5		4034607
10-7		4034741
10-8		4034725
12-7		4034600
12-8		4034691
12-10		3024528
14-7		4053546
14-10		4037458
14-12		3024527
16-12		4034628

Other dimensions : 4-3, 5-3, 6-4, 7-3, 7-6, 8-6, 10-4, 10-6, 12-7

Table 2 Locking clips

Dimension (mm)	Photo	Article nr (SAP)
3		-
4		-
5		4034692
7		4034604
8		4034631
10		4034605
12		4034606
14		4034639
16		-