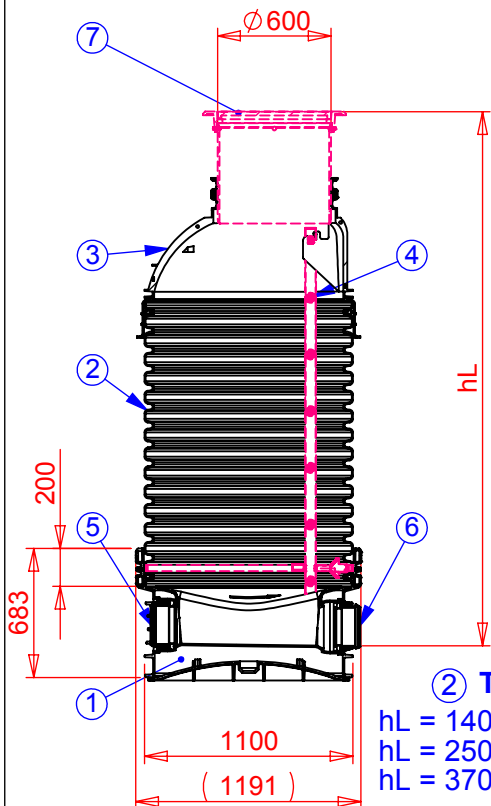


View A-A



① Choose bottom part:

Model I Straight flow-through 165° - 195° D200 053 2711 []	Model I 150/200 Flow-through 135° - 165° 195° - 225° D200 053 2712 []	Model I 120/240 Flow-through 105° - 135° 225° - 255° D200 053 2713 []	Model I 90/270 Flow-through 75° - 105° 255° - 285° D200 053 2714 []	Model X Intersecting flow-through D200 053 2715 []	Model T Straight + side flow D200 053 2716 [] right 053 2717 [] left
--	--	--	--	---	--

② TEGRA 1000 corrugated pipe (x)

hL = 1400...2500 -> L=1200 mm [] 051 4005
 hL = 2500...3700 -> L=2400 mm [] 051 4015
 hL = 3700...4900 -> L=3600 mm [] 051 4020

④ Ladder (accessory) (x)

[] hmax. 2500 = 6 steps 853 7449
 [] hmax. 3700 = 10 steps 853 7450
 [] hmax. 4900 = 14 steps 853 7347

hL = Connection height from ground surface
 hL = _____ mm

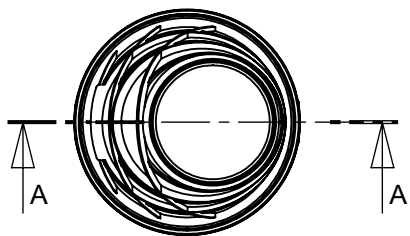
⑦ TEL 600 frame

(cover according to order) (x)

Cover D600 (x)
 [] D400 852 4839
 [] C250 852 4837
 [] A15 852 4835

Rain water cover D600 (x)

[] D400 852 4833
 [] C250 852 4830
 [] A15 852 4828



N:O	PRODUCT	MAT.	DESCRIPTION	pcs
1	Bottom part + gasket		D1100 (853 7356) D200	1
2	Tegra 1000 corrugated pipe		L = according to installation depth	1
3	Tegra cone 1000/600 + gasket		D1100 (259 8158)	1
4	ACCESSORY: Ladder		Lenght according to installation depth	1
5	Inlet sewer		D200	1
6	Outlet sewer		D200	1
7	TEGRA 600 Telescope frame + gasket		D600, cover and frame according to order	1

Product: Tegra 1000 D200 JVTK well
 Drawing type: CUSTOMER DRAWING

Design by: JP/TL
 Approved by: JP 22.11.2012
 Drawing no: 81FB01ce
 Date: 22.11.2012
 Scale (A4): 1:40

WAVIN-LABKO Ltd.
 Labkotie 1
 FIN-36240 KANGASALA
 FINLAND
 puh. +358 20 1285 200
 fax. +358 20 1285 280

Construction site:



This drawing and the technical information included in the drawing are property of Wavin-Labko Ltd. Authorities' regulations must be known before providing the product. Products must be installed according to installation instructions.