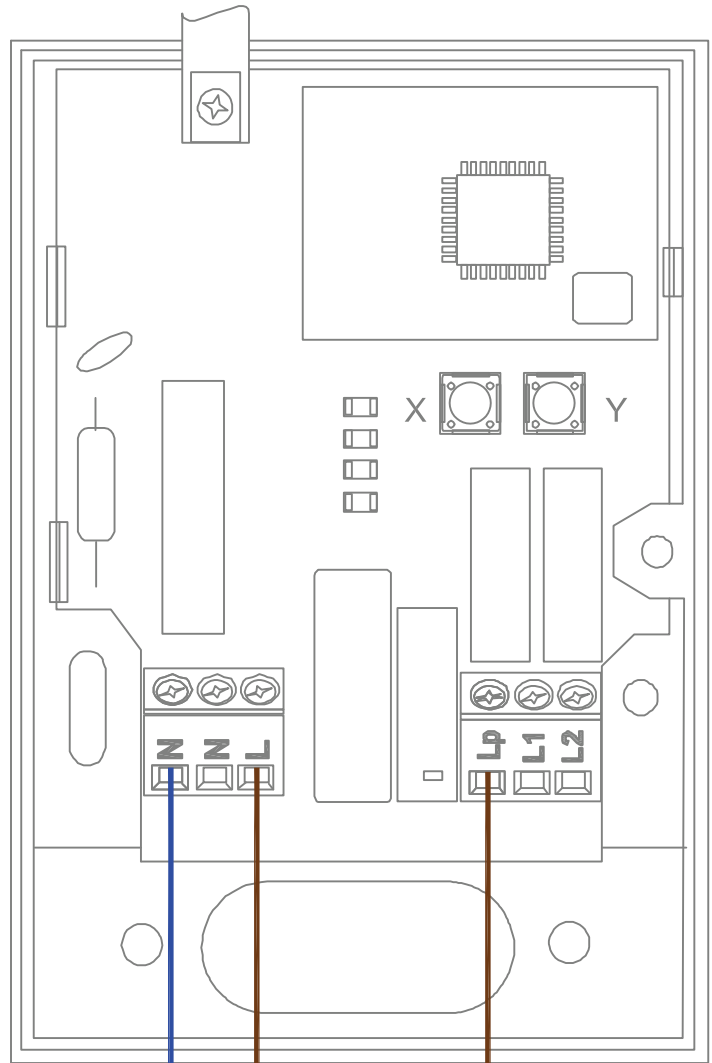


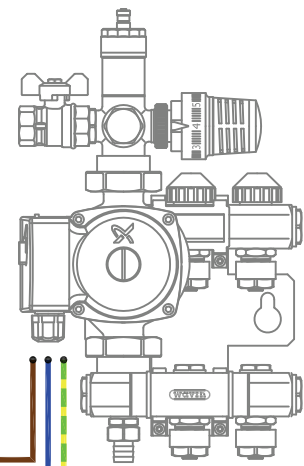
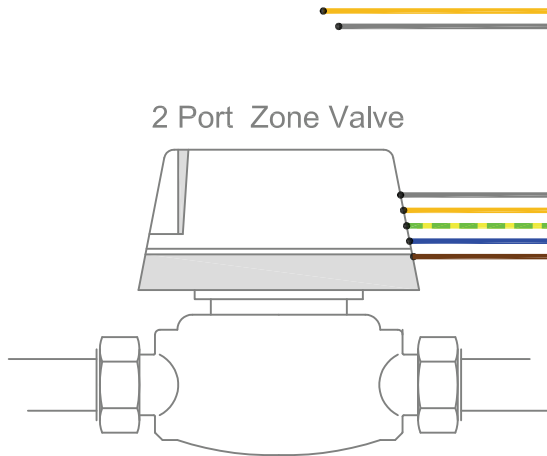
52UH783
Wavin Wireless
 Programmable Thermostat



230V AC Supply
 (Via Heating/Hot Water System Fused Spur)

To Heat Source
 (Heating Enable Terminals)

2 Port Zone Valve



UFH Manifold



Wavin, Underfloor Heating Division, The Dart Building, Grenadier Road,
 Exeter Business Park, Exeter, Devon, EX1 3QF

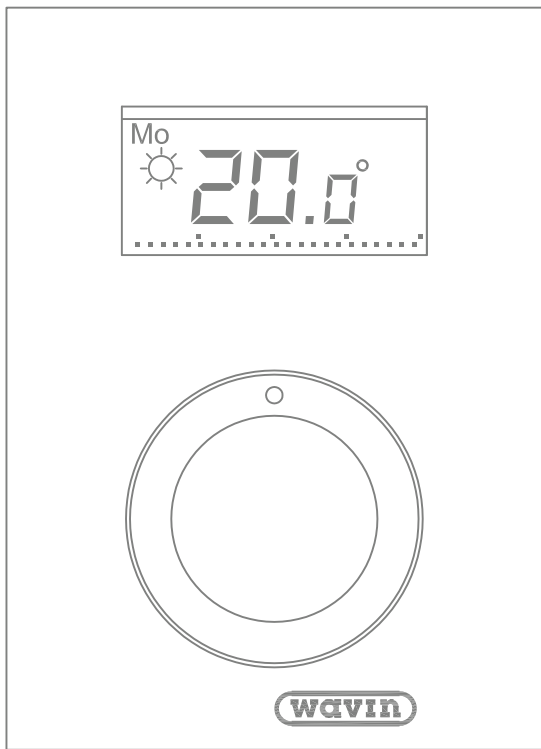
Tel: 01392 444122 Fax: 01392 444135 Email: Info@thermoboard.co.uk Web: www.thermoboard.co.uk

52UH701 - Wiring Diagram - 1 Zone

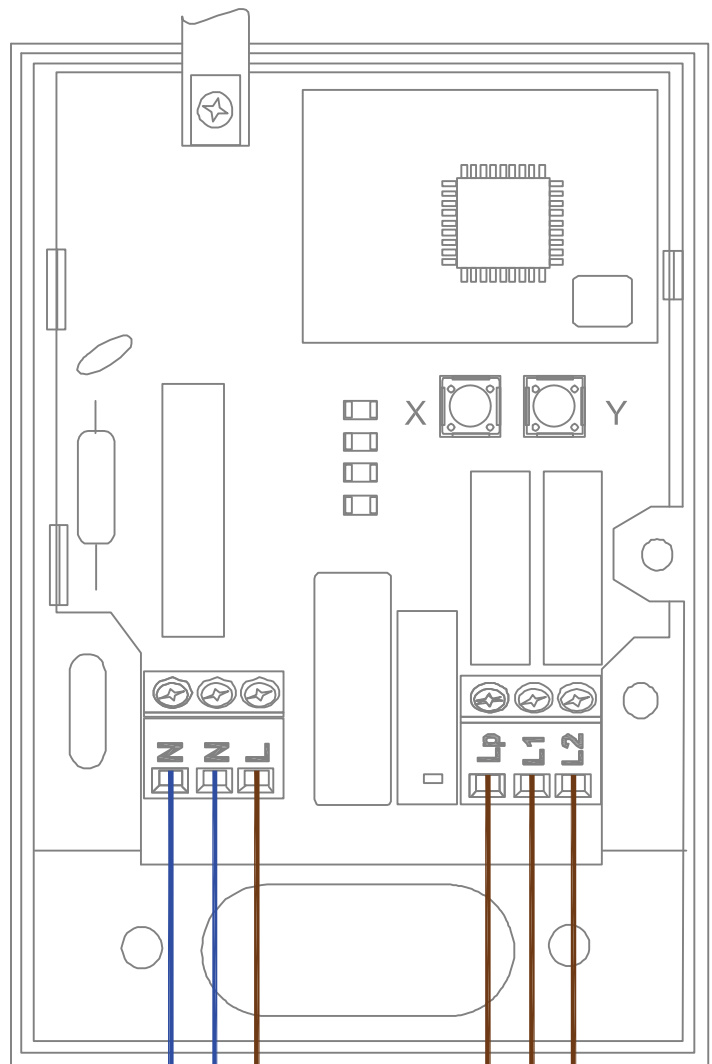
October 2009

All components must be installed and earthed in accordance with local regulations.

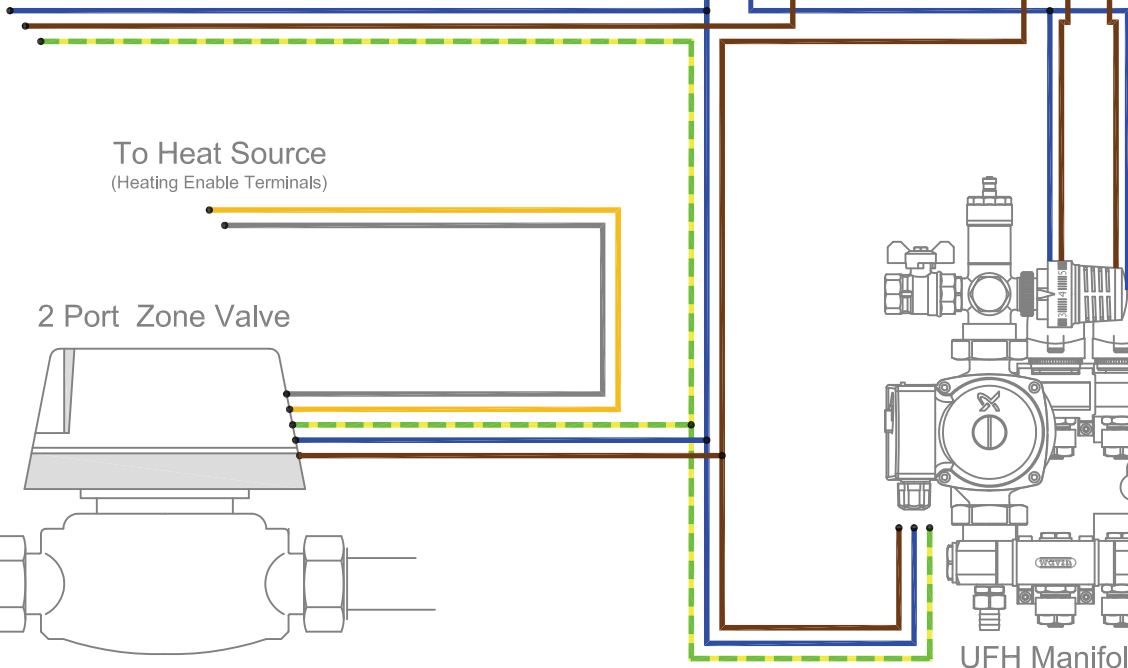
Only competent persons with certification recognised under Building Regulations - Part P should carry out electrical installation or servicing work.



52UH783
Wavin Wireless
 Programmable Thermostat

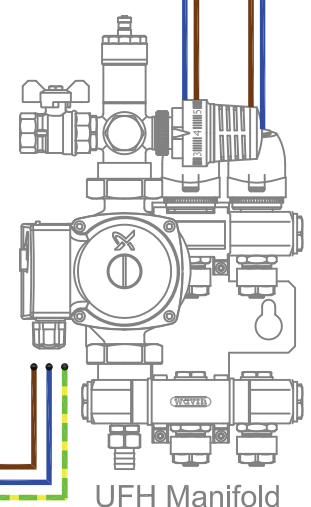
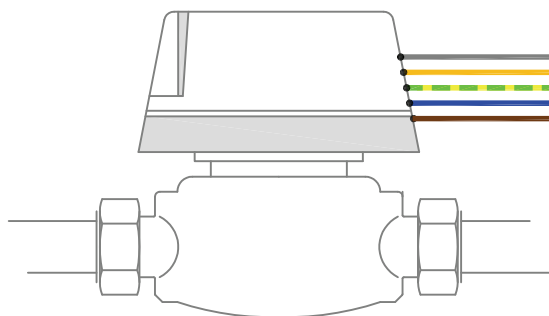


230V AC Supply
 (Via Heating/Hot Water System Fused Spur)



To Heat Source
 (Heating Enable Terminals)

2 Port Zone Valve



UFH Manifold



Wavin, Underfloor Heating Division, The Dart Building, Grenadier Road,
 Exeter Business Park, Exeter, Devon, EX1 3QF

Tel: 01392 444122 Fax: 01392 444135 Email: Info@thermoboard.co.uk Web: www.thermoboard.co.uk

52UH701 - Wiring Diagram - 2 Zones

October 2009

All components must be installed and earthed in accordance with local regulations.

Only competent persons with certification recognised under Building Regulations - Part P should carry out electrical installation or servicing work.