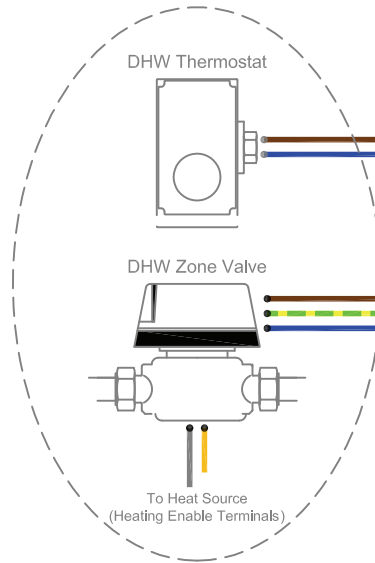


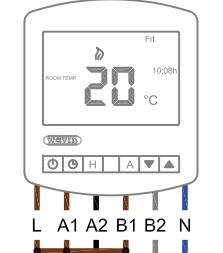
**Integrated Hot Water Control
(Optional)**



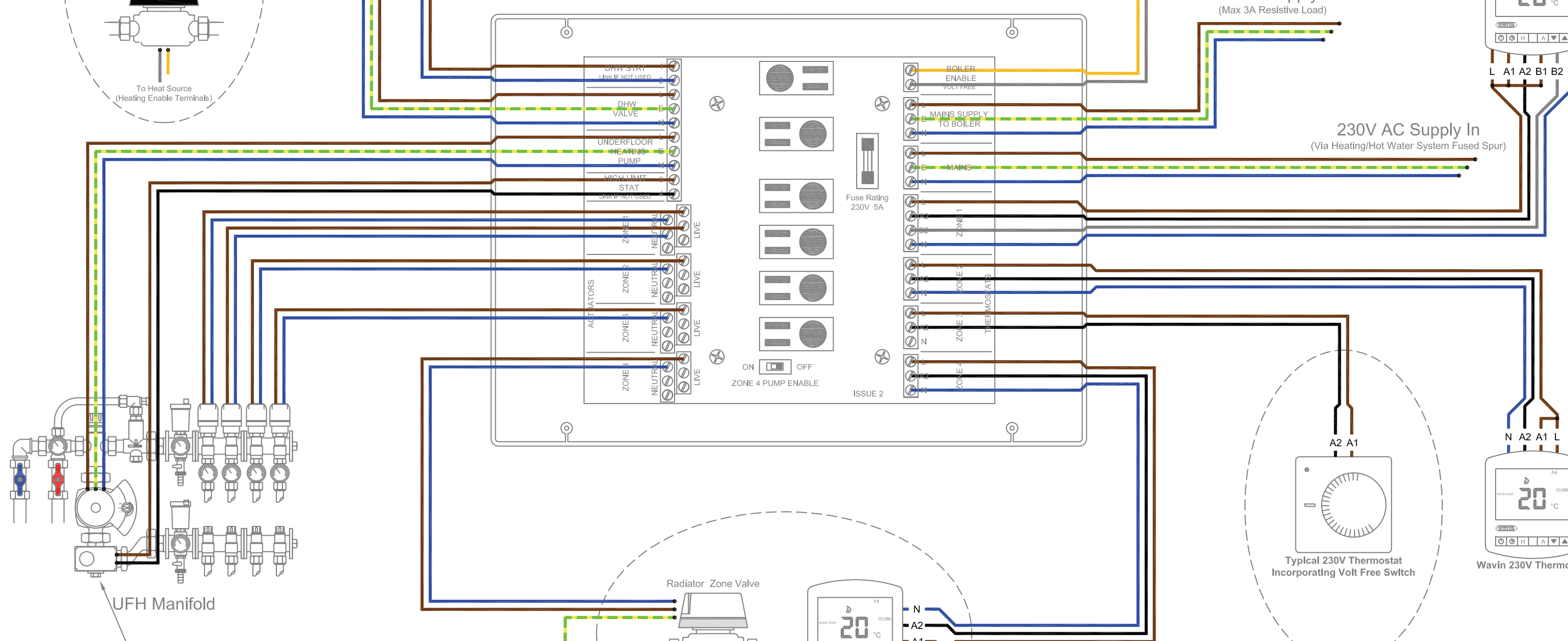
To Heat Source
(Heating Enable Terminals)

230V AC Supply Out
(Max 3A Resistive Load)

Wavin 230V Thermostat
(Optional DHW Control)

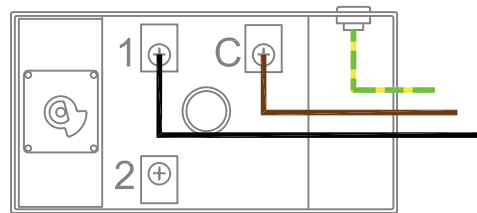


230V AC Supply In
(Via Heating/Hot Water System Fused Spur)



**Flow Watch Protection Thermostat
(Where Installed)**

Common and Terminal 1 Used
Set 10°C Above Operational Temperature



**Integrated Radiator Control
(Optional)**

(Set "Stat 4 Pump Enable" Switch To "OFF")

Third Party Switching
(Non Networkable)

All components must be installed and earthed in accordance with local regulations.

Only competent persons with certification recognised under Building Regulations - Part P should carry out electrical installation or servicing work.



Wavin, Underfloor Heating Division, The Dart Building, Grenadier Road, Exeter Business Park, Exeter, Devon, EX1 3QF
Tel: 01392 444122 Fax: 01392 444135 Email: info@thermoboard.co.uk Web: www.thermoboard.co.uk